

C-TORC DIRECT MOUNT SOLENOIDS

Series CT-SOL-CT-AE

PRODUCT NAME

C-TORC NAMUR MOUNT SOLENOID VALVE

MODEL NO.

CT-SOL-CT-AE

DESCRIPTION OF THE PRODUCT

The C-TORC NAMUR solenoid valve can be used in 3/2 NC or 5/2 applications when controlling double-acting and single-acting pneumatic actuators. These solenoid valves come complete with a "environmentally-protected structure" and thermoplastic encapsulated pull-type solenoid coil, CT-SOL-CT-AE offers excellent environmental protection against the ingress of liquids, dusts or other foreign matter.

APPROVED BY



IP66

NEMA 4,4X

SPOOL VALVE TECHNICAL DATA

Spool valve/Body	Extruded aluminum
Coating	Anodized coated, or Nickel coated in chemical
Seal	Buna N
Materials in contact with fluid	Aluminum, Glass-filled PA, POM, Buna N
Function	5/2 and 3/2NC, CV =1.1(19.63mm ²), Monostable
Air Ports	Air ports 1/4" BSPP or NPT
Assembly and Connection	24x32 Namur, Manual override on body
Fasteners	Stainless steel
Environment	indoor and outdoor
Medium Temperature	-20°C~80°C
Working Pressure	2~8 bar
Working Medium	less than 40µm filtered and dried air
Bistable(ALV520F3C0)	available on requiring
Working life	more than 1000,000 cycle (In the normal working conditions)

Advanced Features

1, All the exhaust ports of the spool valve are connectable, which provide for a better environmental protection.

2, The valve's "environmentally-protected structure" offers extra environmental protection against the ingress of liquids, dusts or other foreign matter.

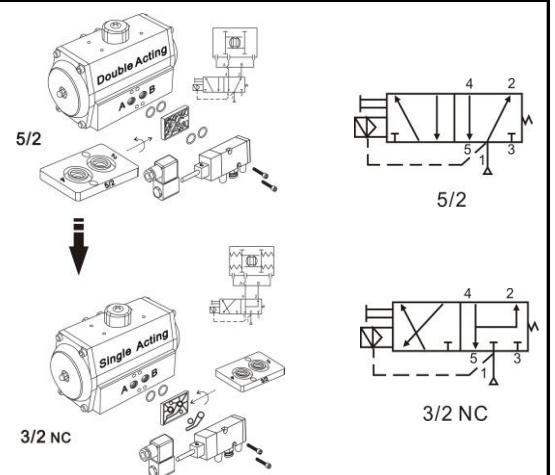
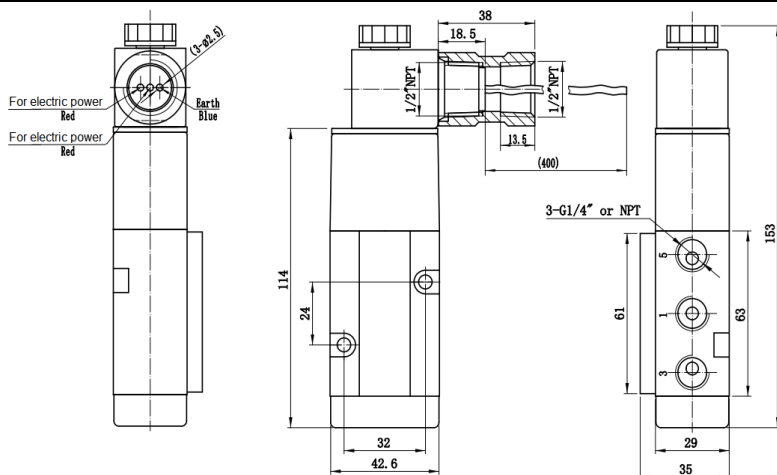
Solenoid Coil Specification(CT-AE)

The C-TORC CT-SOL-CT-AE series is made with a thermoplastic encapsulated pull-type solenoid coil. These solenoids come standard with three lead wires. One wire is used for grounding and the other two are used for your positive & negative connections. All units come complete with a 1/2" NPT conduit connection. The C-TORC CT-SOL-CT-AE specifications include Type 1, 3 and 3S and Nema 4 & 4X.

Operating Voltage (4W/4VA)	24/48VDC 110/210/220/240VAC(50/60HZ)
Operating Voltage (6.3W/6.3VA)	24VDC 120VAC(50/60HZ)
Length of lead wires	400mm (3xφ2.5mm)
Cable entry	1/2" NPT
Conduit connection	Aluminum
Insulation Protection	F Class wire
Duty factor	100% ED
Weather Proof	IP66, Type4, 4X



DRAWING AND MOUNTING



***For continuous improvement of the product, we reserve the right to alter the dimensions, technical data and information included in this data sheet.



C-TORC CONTROLS LLC
www.ctorc.com