

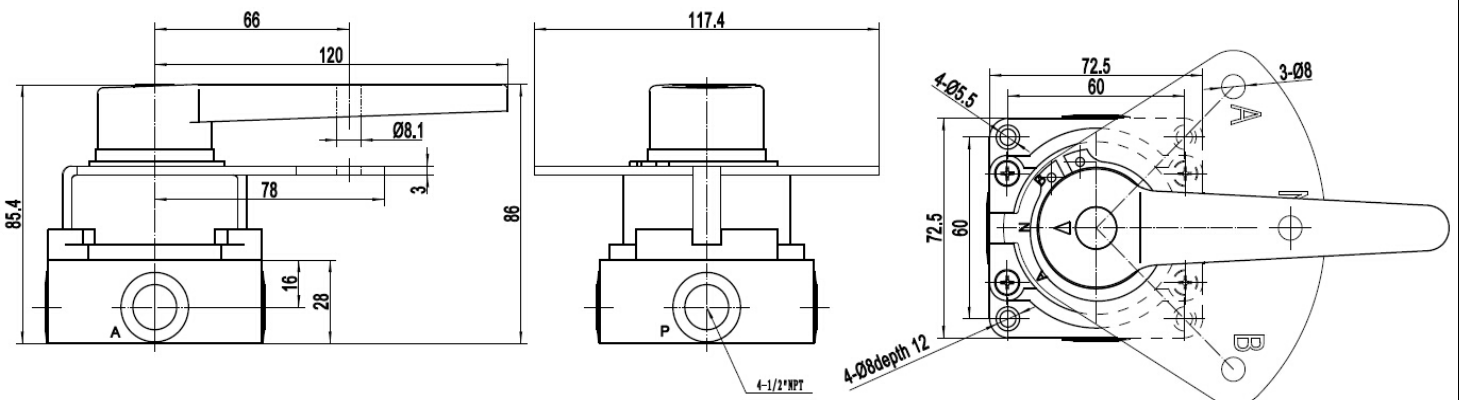
MODEL NO.

CT-60 - 1/2" NPT

PRODUCT NAME

Hand Switching Valve with Lock Plate

DRAWING AND MOUNTING



SPECIFICATIONS

Working Medium	40 Micron Filtered Air
Port Size	1/2" NPT
Effective Cross Section Area	30 mm ² (CV=1.68)
Working Pressure	0~8 Bar
Ambient Temperature	0~60°C

FUNCTION & PHOTO

